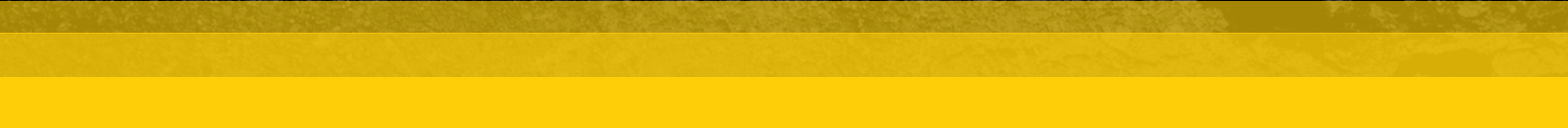


# CAT<sup>®</sup> ATTACHMENTS

## SMALL WHEEL LOADERS





## Get more out of your equipment with Cat® attachments.

Cat® attachments are designed and tested on each model to maximize machine performance.

**This brochure consists of work tool offerings for the following small wheel loader models:**

M-Series: 926M, 930M, 938M  
K-Series: 924K, 930K, 938K

## INDEX

<b>COUPLER SOLUTIONS</b> .....	4
<b>HOOKS</b> .....	6
<b>GROUND ENGAGING TOOLS</b>	
ADVANSYS GROUND ENGAGING TOOLS .....	8
GROUND ENGAGING TOOLS .....	9
<b>QUICK DISCONNECT KIT</b> .....	10
<b>COUPLERS/KITS</b> .....	11
<b>BUCKETS</b>	
PIN ON – GENERAL PURPOSE .....	12
PIN ON – FLAT FLOOR/LIGHT MATERIAL .....	14
PIN ON – SAND AND GRAVEL .....	15
PIN ON – HIGH CAPACITY/HIGH DUMP .....	16
PIN ON – MULTI-PURPOSE/WASTE .....	17
FUSION – GENERAL PURPOSE .....	19
FUSION – GENERAL PURPOSE FLAT FLOOR .....	20
FUSION – LIGHT MATERIAL .....	20
FUSION – SAND AND GRAVEL .....	21
FUSION – GENERAL PURPOSE .....	22
FUSION – MATERIAL HANDLING .....	22
FUSION – SIDE DUMP .....	22
FUSION – HIGH CAPACITY .....	23
FUSION – HIGH DUMP .....	23
FUSION – MULTI-PURPOSE .....	24
FUSION SKELETON .....	25
FUSION HPL – WIDE (L50) GENERAL PURPOSE .....	25
HPL – WIDE (L50) – GENERAL PURPOSE FLAT FLOOR .....	26
HPL – WIDE (L50) – SCANDINAVIAN STYLE GRADING .....	27
HPL – WIDE (L50) – LIGHT MATERIAL .....	28
HPL – WIDE (L50) – HIGH DUMP .....	28



## **BROOMS**

ANGLE .....	29
SPECIAL APPLICATION .....	30
PICKUP .....	31
BROOM KITS .....	32

## **FORKS**

CONSTRUCTION FORKS .....	33
HEAVY DUTY CONSTRUCTION FORKTINES .....	34
LOG AND LUMBER FORK CARRIAGES .....	35
PALLET FORK CARRIAGES AND FORKS .....	38
OFFSET PALLET FORKTINES .....	39
MILLYARD FORKS .....	40
SEMI MILLYARD FORKS .....	41
SORTING GRAPPLE FORKS .....	42
PIPE AND POLE FORKS .....	43

<b>MATERIAL HANDLING ARM</b> .....	44
------------------------------------	----

## **RAKES**

FUSION .....	45
--------------	----

## **SNOW ATTACHMENTS**

FUSION SNOW PLOWS .....	46
FUSION SNOW PUSHES .....	47
BUCKET RECEIVER SNOW PUSHES .....	48

### Abbreviations:

BOCE: Bolt-on cutting edge

BOT: Bolt-on teeth

WOT: Weld-on teeth

SWL: Small wheel loader

EU: Europe

HPL: Horizontal pin lock



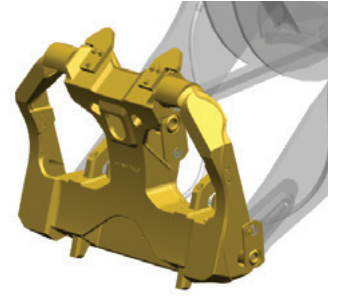
Indicates EU requires front-facing camera

PLEASE CONTACT YOUR LOCAL CAT DEALER FOR EXACT COMPATIBILITY,  
AVAILABILITY AND TO REQUEST A CURRENT PRICE QUOTE.

# Cat® Coupler Solutions

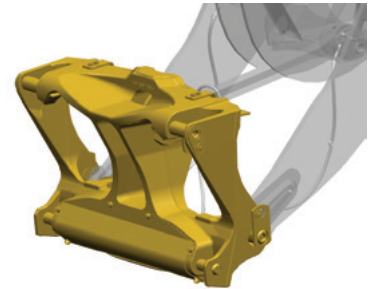
## Fusion™

The Caterpillar patented Fusion™ coupler sits back close to the loader arms, minimizing offset, enabling increased machine performance. Optimal visibility in combination with the machine linkage makes it easier and safer to engage and disengage attachments. The advanced wedge mechanism creates a tight, rattle-free fit, eliminating play and wear resulting in a long service life. Attachment exchangeability among a wide Cat loader range.



## Horizontal Pin Lock – Wide (L50)

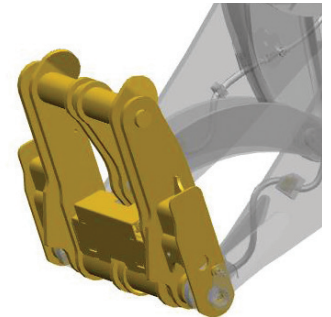
The ISO coupler will pick up a range of Cat small wheel loader attachments. It will allow the sale of small wheel loaders in mixed fleets. The coupler and the profiled loader arms have been designed to give maximum visibility to the work tool, making it easier and safer to engage and disengage attachments. A simple joystick function allows for easy engagement and disengagement of the locking pins.



## IT

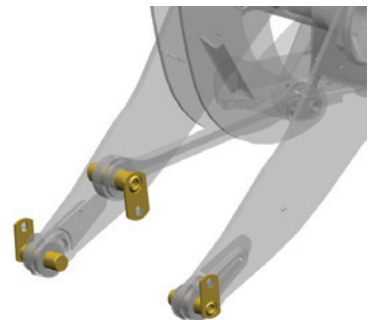
Legacy interface bridges old and new small wheel loader machines into one fleet. Combine different machine products (backhoe loader, compact wheel loader and telehandler) with the same coupler for specific attachments. Aftermarket solution for existing fleet allowing end users to make use of their entire existing attachment portfolio. *\*Note only available for 924, 926 and 930.*

– Also known as Integrated Tool Carrier Coupler, IT14/28 and IT38 (larger IT).



## No Coupler Solution – Pin On

No coupler solution, maximum usage of machine lifting capabilities in the application. Often used when machine is 100% dedicated to the task at hand.



# SMALL WHEEL LOADERS ATTACHMENTS



## Conversion Hooks

These hooks are used to convert buckets and other attachments to a different mounting interface. To convert an attachment, the existing interface is cut off and the conversion hooks are welded on.

Hook blanks have extra material so they can be cut to fit the bucket profile. Flat back hooks are ideal for converting fork carriages and other attachments.

<b>HOOKS (FOR CONVERSION TO FUSION™)</b>		
<b>Part Number</b>	<b>Weight kg (lb)</b>	<b>Description</b>
371-2400	150 (330)	Flat back
317-5562	357 (787)	Blank

<b>HOOKS (FOR CONVERSION TO IT COUPLER)</b>		
<b>Part Number</b>	<b>Weight kg (lb)</b>	<b>Description</b>
109-6712	162 (356)	Blank
113-2677	70 (155)	Flat back

<b>HOOKS (FOR USE WITH VERTICAL WEDGE LOCK COUPLERS)</b>		
<b>Part Number</b>	<b>Weight kg (lb)</b>	<b>Description</b>
498-4390	(224) 493	Blank, VWL, 4"

<b>HOOKS (FOR USE WITH SW2003/6 COUPLERS)</b>		
<b>Part Number</b>	<b>Weight kg (lb)</b>	<b>Description</b>
201-1397	68 (150)	Flat back, SA02003/6*
135-6323	236 (520)	Blank, HPL 4"
121-8908	70 (155)	Flat Back, HPL 4"

*\*Not available in North America.*

<b>CONVERSION ADAPTER (IT TO FUSION)</b>		
<b>Part Number</b>	<b>Weight kg (lb)</b>	<b>Description</b>
589-6664	223 (492)	Adapter interface

**SMALL WHEEL LOADERS  
ATTACHMENTS**



**Hook, Blank, IT**



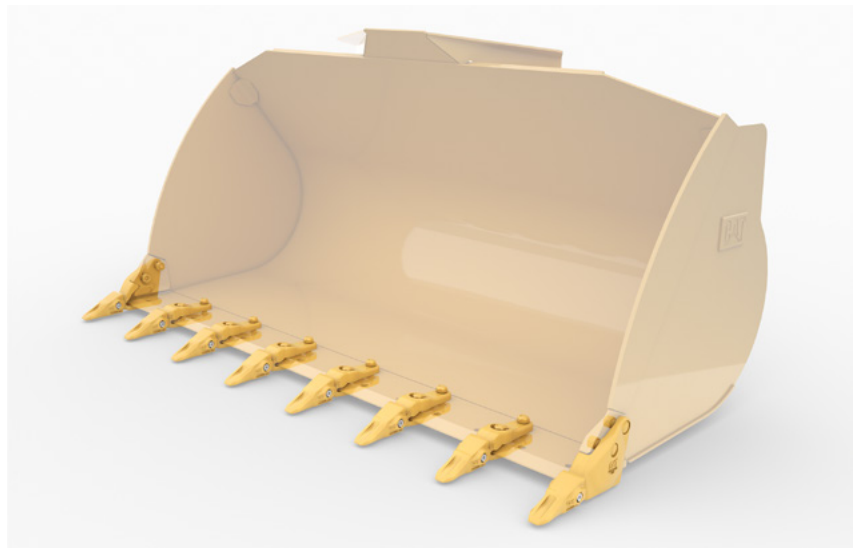
**Hook, Blank, IT  
(Flat Back)**



**Fusion to IT  
Conversion Adapter**

# SMALL WHEEL LOADERS ATTACHMENTS

**Cat Advansys™ Ground Engaging Tools (G.E.T.)** optimize performance with less installation downtime and more safety. This hammerless system features integrated retention components and streamlines retrofitting with adapters that drop into the same space as K series.



### ADVANSYS (G.E.T.)

Part Number	Model	Compatibility
589-6111	ADAPTER GP-TIP	Check with your local dealer

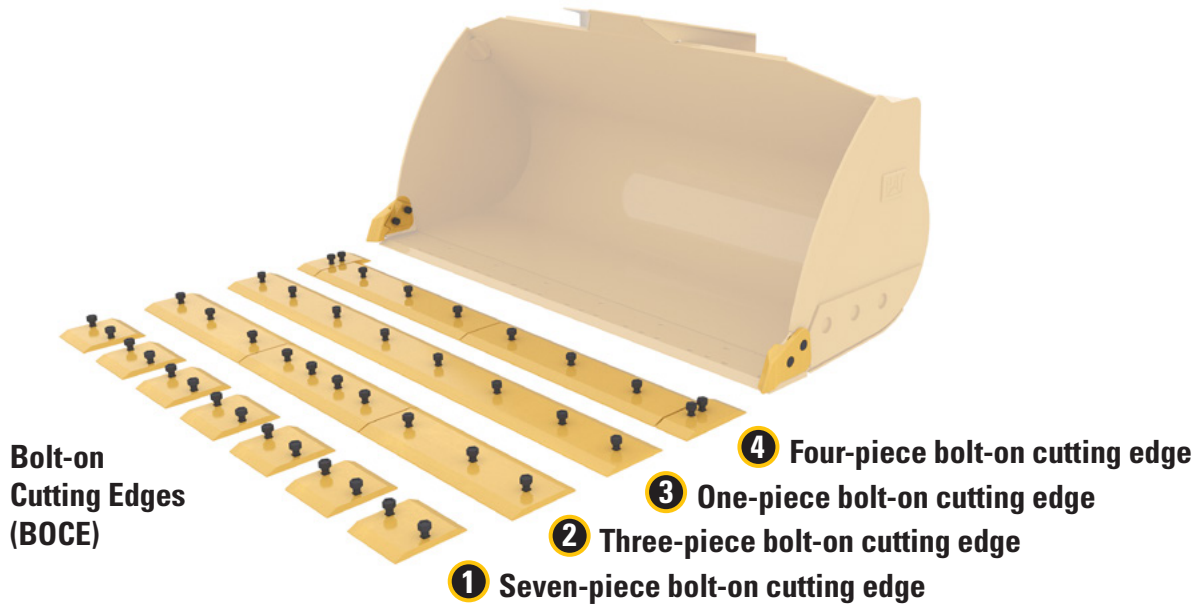
### ADVANSYS G.E.T. RETROFIT TABLE

Part Number	Description
539-5600	Center Adapter
8J-2933	Nut
8J-2928	Bolt, Plow
539-5601	Right Hand Adapter
539-5602	Left Hand Adapter
2J-3507	Nut
4F-4042	Bolt, Plow
4J-9058	Bolt, Plow
539-5678	Tip, General Purpose

### BASE EDGES

Part Number	Width
4E-0659	2524 – 2550 mm
110-4712	2750 mm





GROUND ENGAGING TOOLS (G.E.T.)			2455 mm WIDTH
Part Number	Weight kg (lb)	Description	Type
116-9713	157 (346)	Adapters, bolt-on, set of 8	J250
9W-8142	25 (55)	Tips, long, set of 8	J250
9W-8143	18 (40)	Tips, short, set of 8	J250

GROUND ENGAGING TOOLS (G.E.T.)			2524 mm – 2550 mm WIDTH
Part Number	Weight kg (lb)	Description	Type
547-6107	123 (271)	Cutting Edge, bolt-on, 1 piece	—
472-1465	—	Cutting Edge, bolt-on, 3 pieces	—
8E-4566*	166 (365)	Cutting Edge, bolt-on, 4 pieces	—
8E-4568**	93 (205)	Segments, bolt-on, set of 7	—
360-3284	70 (154)	Adapters, bolt-on, set of 8	J250
116-9713	157 (346)	Adapters, bolt-on, set of 8	J250
9W-8142	25 (55)	Tips, long, set of 8	J250

\*For use with general purpose, sand and gravel buckets. Cannot be used with high dump buckets.

\*\*Requires 116-9713 or 360-3284 adapter group.

# SMALL WHEEL LOADERS

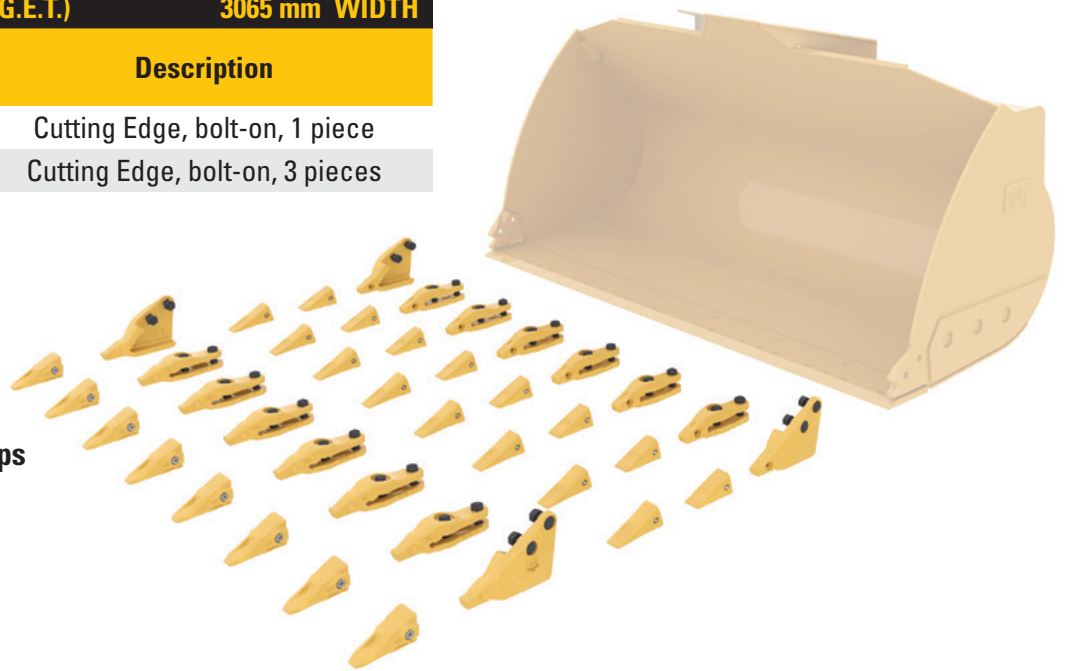
## ATTACHMENTS

GROUND ENGAGING TOOLS (G.E.T.)			2750 mm WIDTH
Part Number	Weight kg (lb)	Description	Teeth Type
547-6108	132 (291)	Cutting Edge, bolt-on, 1 piece	—
472-1468	—	Cutting Edge, bolt-on, 3 pieces	—
345-2758*	145 (319)	Cutting Edge, bolt-on, 4 pieces	—
444-1523	99 (219)	Cutting Edge, Rubber, 2743 mm (108 in)	—
116-9713**	157 (346)	Adapters, bolt-on, set of 8	J250
360-3284	70 (154)	Adapters, bolt-on, set of 8	J250
9W-8142	25 (55)	Tips, long, set of 8	J250
9W-8143	18 (40)	Tips, short, set of 8	J250

\*Cannot be used with high dump buckets.

\*\*Cannot be used with light material buckets.

GROUND ENGAGING TOOLS (G.E.T.)			3065 mm WIDTH
Part Number	Weight kg (lb)	Description	
547-6109	232 (511)	Cutting Edge, bolt-on, 1 piece	
472-1471	—	Cutting Edge, bolt-on, 3 pieces	



**Bolt-on Adapters and Tips**

Use the Cat IT coupler to connect non-current small wheel loader work tools to your existing fleet.  
For a list of non-current IT work tools, please contact your local Cat dealer.

QUICK COUPLER		IT
Part Number	Description	Machines
396-1605*	IT (standard) hydraulic quick coupler	924K – 930M

\*Machine must be quick coupler ready.

QUICK COUPLER		HORIZONTAL PIN LOCK – WIDE (L50)
Part Number	Description	Machines
395-0329	CAT HPL (horizontal pin lock – wide) hydraulic quick coupler, 2" pins and 4" top bar	924K, 930K, 926M, 930M

QUICK COUPLER – SW2006			
Part Number	Description	Class	Machines
397-8643*	Dutch design vertical wedge hydraulic quick coupler.	6	924K, 926M, 930K/M
396-1629*	Dutch design vertical wedge hydraulic quick coupler.	6	938K/M

\*Requires dedicated attachments and quick coupler lines on machine.

COUPLING QUICK DISCONNECT KIT	
Part Number	Description
455-7380	Provides a set (male and female) of flat face "connect under pressure" quick disconnects. These are twist to connect M45.

PUSH QUICK DISCONNECT SIZE 12 KIT	
Part Number	Description
196-4191	Kit provides a set (male and female) "push to connect" quick disconnects. For pre-2014 K series machines.

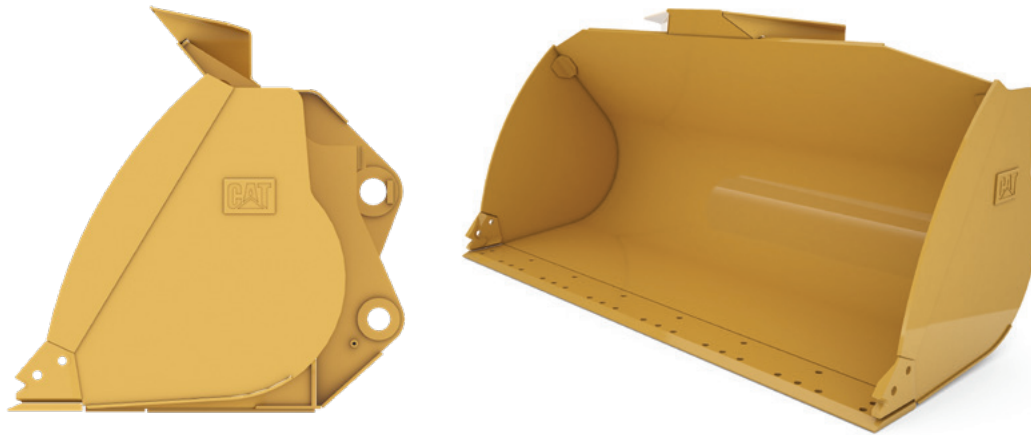


**SMALL WHEEL LOADERS  
ATTACHMENTS**



## General Purpose Performance Series Buckets

provide higher fill factors and material retention in load and carry applications, as well as grading, leveling and dumping in a wide variety of applications and materials.



GENERAL PURPOSE – PERFORMANCE SERIES BUCKETS							PIN ON
Part Number	Capacity <i>m<sup>3</sup> (yd<sup>3</sup>)</i>	Weight <i>kg (lb)</i>	Length <i>mm (in)</i>	Width <i>mm (in)</i>	Height <i>mm (in)</i>	Edge Type	Machine Compatibility
345-2818	1.9 (2.5)	775 (1709)	1109 (44)	2532 (100)	1235 (49)	Base Edge	924K, 926M, 930K/M
417-4359	1.9 (2.5)	940 (2072)	1240 (49)	2549 (100)	1260 (50)	BOCE	924K, 926M, 930K/M
345-2820	2.9 (3.8)	1057 (2330)	1414 (56)	2727 (107)	1572 (62)	Base Edge	924K, 926M, 930K/M
417-4921	2.1 (2.7)	982 (2165)	1312 (52)	2549 (100)	1314 (52)	BOCE	924K, 926M, 930K/M
345-2822	2.3 (3.0)	892 (1967)	1303 (51)	2528 (100)	1338 (53)	Base Edge	924K, 926M, 930K/M
417-4923	2.3 (3.0)	1020 (2249)	1375 (54)	2549 (100)	1358 (54)	BOCE	924K, 926M, 930K/M
345-2804	2.5 (3.3)	978 (2156)	1303 (51)	2727 (107)	1336 (53)	Base Edge	938K/M
345-2814	2.5 (3.3)	978 (2156)	1365 (54)	2528 (100)	1382 (54)	Base Edge	938K/M
345-2824	2.5 (3.3)	977 (2154)	1365 (54)	2528 (100)	1382 (54)	Base Edge	924K, 926M, 930K/M
417-4345	2.5 (3.3)	1108 (2443)	1437 (57)	2549 (100)	1404 (55)	BOCE	924K, 926M, 930K/M
345-2816	2.7 (3.5)	968 (2134)	1365 (54)	2528 (100)	1418 (56)	Base Edge	938K/M
345-2826	2.7 (3.5)	1021 (2251)	1365 (54)	2727 (107)	1381 (54)	Base Edge	938K/M
345-2828	2.9 (3.8)	1057 (2330)	1414 (56)	2727 (107)	1419 (56)	Base Edge	938K/M
417-4895	2.5 (3.3)	1114 (2456)	1375 (54)	2747 (108)	1358 (54)	BOCE	938K/M
417-4927	2.7 (3.5)	1158 (2553)	1437 (57)	2747 (108)	1404 (55)	BOCE	938K/M
417-4349	2.9 (3.8)	1202 (2650)	1486 (59)	2747 (108)	1439 (57)	BOCE	938K/M

# SMALL WHEEL LOADERS ATTACHMENTS

## Flat Floor Performance Series Buckets

utilize a long flat floor that delivers improved results when back dragging and grading.



FLAT FLOOR – PERFORMANCE SERIES BUCKETS							PIN ON
Part Number	Capacity <i>m<sup>3</sup> (yd<sup>3</sup>)</i>	Weight <i>kg (lb)</i>	Length <i>mm (in)</i>	Width <i>mm (in)</i>	Height <i>mm (in)</i>	Edge Type	Machine Compatibility
490-3050	2.3 (3.0)	1025 (2260)	1471 (58)	2532 (100)	1349 (53)	BOCE	924K, 926M, 930K/M
493-1835	2.3 (3.0)	1105 (2436)	1515 (60)	2539 (100)	1350 (53)	WOT	938K/M
490-3060	2.5 (3.3)	1230 (2712)	1375 (54)	2727 (107)	1358 (54)	BOCE	938K/M
490-3070	2.9 (3.8)	1317 (2904)	1486 (59)	2727 (107)	1439 (57)	BOCE	938K/M
493-1845*	2.5 (3.3)	1196 (2637)	1515 (60)	2738 (108)	1350 (53)	WOT	938K/M
493-1855*	2.9 (3.8)	1283 (2829)	1625 (64)	2738 (108)	1431 (56)	WOT	938K/M

**Light Material Buckets** are specially designed for maximum efficiency and increased capacity when loading light, loosely packed materials.



LIGHT MATERIAL BUCKETS							PIN ON
Part Number	Capacity <i>m<sup>3</sup> (yd<sup>3</sup>)</i>	Weight <i>kg (lb)</i>	Length <i>mm (in)</i>	Width <i>mm (in)</i>	Height <i>mm (in)</i>	Edge Type	Machine Compatibility
452-7416	3.0 (3.9)	1239 (2732)	1462 (58)	2747 (108)	1369 (54)	BOCE	924K, 926M, 930K/M
417-4905	3.5 (4.6)	1317 (2904)	1565 (62)	2747 (108)	1448 (57)	BOCE	924K, 926M, 930K/M
450-0250	3.8 (5.0)	1389 (3062)	1647 (65)	2747 (108)	1471 (58)	BOCE	924K, 926M, 930K/M
417-4942	4.2 (5.5)	1440 (3175)	1735 (68)	2747 (108)	1538 (61)	BOCE	924K, 926M, 930K/M
417-4350	5.0 (6.5)	1497 (3300)	1735 (68)	2747 (108)	1687 (66)	BOCE	924K, 926M, 930K/M
360-3332	3.5 (4.6)	1313 (2895)	1565 (62)	2727 (107)	1448 (57)	BOCE	938K/M
450-0251	3.8 (5.0)	1372 (3025)	1647 (65)	2747 (108)	1471 (58)	BOCE	938K/M
360-3333	4.2 (5.5)	1438 (3170)	1735 (68)	2747 (108)	1538 (61)	BOCE	938K/M
360-3334*	5.0 (6.5)	1486 (3298)	1735 (68)	2747 (108)	1687 (66)	BOCE	938K/M



\*Front Camera Kit 582-1425 is required by local EU requirements for 5.0 m<sup>3</sup> light material buckets. Contact dealer for details.



## Sand and Gravel Buckets

are designed for aggregate handling in batch plant loader applications.

Additional wear plates on bottom and sides of the bucket improves life of the bucket in coarse aggregate applications.

SAND AND GRAVEL BUCKETS							PIN ON
Part Number	Capacity <i>m<sup>3</sup> (yd<sup>3</sup>)</i>	Weight <i>kg (lb)</i>	Length <i>mm (in)</i>	Width <i>(mm) in</i>	Height <i>(mm) in</i>	Edge Type	Machine Compatibility
430-3300	2.5 (3.3)	1026 (2262)	1303 (51)	2750 (108)	1338 (53)	Base Edge	924K, 926M, 930K/M
466-2252	2.5 (3.3)	1171 (2582)	1375 (54)	2747 (108)	1359 (54)	BOCE	924K, 926M, 930K/M
360-3309	2.7 (3.5)	1067 (2352)	1414 (56)	2750 (108)	1382 (54)	Base Edge	924K, 926M, 930K/M
466-2253	2.7 (3.5)	1210 (2668)	1437 (57)	2747 (108)	1404 (55)	BOCE	924K, 926M, 930K/M
360-3308	2.7 (3.5)	1075 (2370)	1365 (54)	2750 (108)	1381 (54)	Base Edge	938K/M
466-2255	2.7 (3.5)	1218 (2685)	1437 (57)	2747 (108)	1404 (55)	BOCE	938K/M
469-0193	2.9 (3.8)	1113 (2454)	1414 (56)	2750 (108)	1419 (56)	Base Edge	938K/M
469-0194	2.9 (3.8)	1251 (2758)	1428 (56)	2743 (108)	1440 (57)	BOCE	938K/M
360-3311	3.2 (4.2)	1147 (2529)	1414 (56)	2750 (108)	1465 (58)	Base Edge	924K, 926M, 930K/M
466-2254	3.2 (4.2)	1290 (2844)	1486 (59)	2747 (108)	1488 (59)	BOCE	924K, 926M, 930K/M
360-3310	3.2 (4.2)	1146 (2527)	1414 (56)	2750 (108)	1467 (58)	Base Edge	938K/M
466-2256	3.2 (4.2)	1289 (2842)	1486 (59)	2747 (108)	1488 (59)	BOCE	938K/M
396-2222	3.5 (4.5)	1551 (3430)	1578 (62)	2750 (108)	1537 (61)	BOCE	938K/M

SAND AND GRAVEL BUCKETS — 938K/M WITH 23.5" TIRES						PIN ON
Part Number	Capacity <i>m<sup>3</sup> (yd<sup>3</sup>)</i>	Weight <i>kg (lb)</i>	Length <i>mm (in)</i>	Width <i>mm (in)</i>	Height <i>mm (in)</i>	Edge Type
593-8674	2.9 (3.8)	1127 (2485)	1403 (55)	2735 (108)	1414 (56)	Base Edge
593-8641	2.9 (3.8)	1315 (2899)	1475 (58)	2743 (108)	1439 (57)	BOCE
593-8703	3.2 (4.2)	1208 (2663)	1403 (55)	2735 (108)	1462 (58)	Base Edge
593-8702	3.2 (4.2)	1345 (2965)	1475 (58)	2743 (108)	1487 (59)	BOCE

NOTE: Additional dig depth for wider tires.

# SMALL WHEEL LOADERS ATTACHMENTS

**Woodchip Buckets** are high capacity buckets for applications where low density material is handled. Higher capacity allows more productivity per cycle.



**Woodchip Bucket**

WOODCHIP BUCKETS – 938K/M						PIN ON
Part Number	Capacity <i>m<sup>3</sup> (yd<sup>3</sup>)</i>	Weight <i>kg (lb)</i>	Length <i>mm (in)</i>	Width <i>mm (in)</i>	Height <i>mm (in)</i>	Edge Type
568-7631	6.0 (7.8)	1811 (3993)	1889 (74)	3062 (121)	1614 (64)	BOCE
568-9164	6.9 (9.0)	1940 (4277)	1889 (74)	3381 (133)	1640 (65)	BOCE



Note: Front Camera Kit 582-1425 is required by local EU requirements for all high capacity/woodchip buckets. Contact dealer for details.



**High Dump Bucket**

**High Dump Buckets** feature greatly increased dump height over standard material-handling buckets. Whether loading trucks, feeding compactors or just working in the pile, high dump buckets offer the performance you need.

HIGH DUMP BUCKETS								PIN ON
Part Number	Capacity <i>m<sup>3</sup> (yd<sup>3</sup>)</i>	Weight <i>kg (lb)</i>	Length <i>mm (in)</i>	Width <i>mm (in)</i>	Height <i>mm (in)</i>	Edge Type	Required Hydraulics	Machine Compatibility
461-1430	3.0 (3.9)	1739 (3834)	1770 (70)	2528 (100)	1663 (66)	BOCE	Third Function	924K, 926M, 930K/M
461-7080	3.5 (4.6)	1827 (4028)	1770 (70)	2716 (107)	1706 (67)	BOCE	Third Function	924K, 926M, 930K/M
464-2890	4.1 (5.4)	2159 (4760)	1835 (72)	3032 (119)	1721 (68)	BOCE	Third Function	924K, 926M, 930K/M
461-7085	4.1 (5.4)	2156 (4753)	1835 (72)	3032 (119)	1721 (68)	BOCE	Third Function	938K/M
464-2895	5.0 (6.5)	2528 (5573)	1954 (77)	3032 (119)	1863 (73)	BOCE	Third Function	924K, 926M, 930K/M
461-7060	5.0 (6.5)	2256 (4974)	1954 (77)	3031 (119)	1864 (73)	BOCE	Third Function	938K/M



Note: Front Camera Kit 582-1425 is required by local EU requirements for all high dump buckets. Contact dealer for details.



**Multi-Purpose Buckets** have excellent versatility for handling, clamping, dozing, grading, leveling and dumping.

**Multi-Purpose Bucket**



## MULTI-PURPOSE BUCKETS

**PIN ON**

Part Number	Capacity <i>m<sup>3</sup> (yd<sup>3</sup>)</i>	Weight <i>kg (lb)</i>	Length <i>mm (in)</i>	Width <i>mm (in)</i>	Height <i>mm (in)</i>	Edge Type	Required Hydraulics	Machine Compatibility
525-7237	2.1 (2.7)	1439 (3172)	1251 (49)	2550 (100)	1274 (50)	BOCE	Third Function	924K, 926M, 930K/M
537-8665	2.7 (3.5)	1587 (3499)	1415 (56)	2750 (108)	1337 (53)	BOCE	Third Function	938K/M



## Waste Handling Buckets

are available in different styles: waste handling, doze and load and carry.

## WASTE HANDLING BUCKETS

**PIN ON**

Part Number	Capacity <i>m<sup>3</sup> (yd<sup>3</sup>)</i>	Length <i>mm (in)</i>	Width <i>mm (in)</i>	Height <i>mm (in)</i>	Edge Type	Required Hydraulics	Machine Compatibility	Type
449-4365 <sup>^</sup>	3.4 (4.5)	2089 (82)	2743 (108)	1431 (56)	BASE	Third Function	924K, 926M, 930M	Waste
449-4371 <sup>^^</sup>	3.8 (5.0)	2159 (85)	2886 (114)	1440 (57)	BASE	Third Function	938K	Waste
439-1335 <sup>^</sup>	4.2 (5.5)	1435 (56)	2743 (108)	1925 (76)	BOCE	None	924K, 926M, 930K/M	Doze
434-8968 <sup>^</sup>	4.6 (6.0)	1790 (71)	2743 (108)	1605 (63)	BOCE	None	924K, 926M, 930K/M	Load and Carry
438-9377 <sup>^^</sup>	4.6 (6.0)	1435 (56)	2927 (115)	1964 (77)	BOCE	None	938K/M	Doze
434-3349 <sup>^^</sup>	4.9 (6.5)	1807 (71)	2886 (114)	1640 (66)	BOCE	None	938K	Load and Carry

<sup>^</sup>Requires bolt-on cutting steel edge 345-2758 or rubber edge 444-1523.

<sup>^^</sup>Requires bolt-on cutting steel edge 139-9230 or rubber edge 437-0289.

# SMALL WHEEL LOADERS ATTACHMENTS

QUICK COUPLER KIT		FUSION
Part Number	Description	Machines
374-5790*	FAB electro-hydraulic interface coupler actuation system activated from cab.	924K, 926M, 930K, 930M
566-5497*	CAST electro-hydraulic interface coupler actuation system activated from cab.	926M, 930M
374-5791*	FAB electro-hydraulic interface coupler actuation system activated from cab.	938K, 938M
566-5498*	CAST electro-hydraulic interface coupler actuation system activated from cab.	938M

\*Requires "Kit, Coupler Ready" if machine is not quick coupler ready.

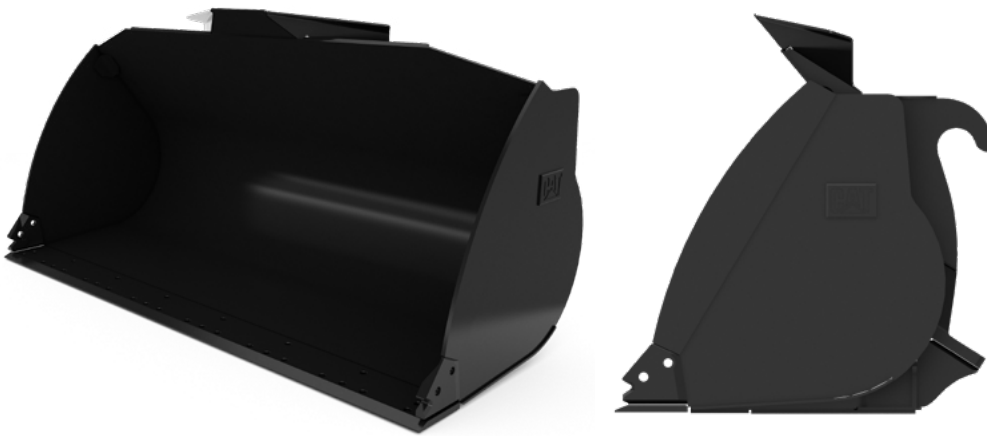
QUICK COUPLER KIT		ISO
Part Number	Description	Machines
545-5498*	CAST electro-hydraulic interface coupler actuation system activated from cab.	924K, 926M, 930K, 930M
566-5499*	CAST electro-hydraulic interface coupler actuation system activated from cab.	926M, 930M
545-5499*	Electro-hydraulic interface coupler actuation system activated from cab.	938K, 938M
566-5500*	CAST electro-hydraulic interface coupler actuation system activated from cab.	938M

\*Requires "Kit, Coupler Ready" if machine is not quick coupler ready.

KIT, COUPLER READY	
Part Number	Machines
447-4892	924K
447-4893	926M, 930K, 930M
447-4895	938K, 938M
576-4833	926M, 930M, 938M

## General Purpose Performance Series Buckets





**General Purpose  
Performance Series**

buckets provide higher fill factors and material retention in load and carry applications, as well as grading, leveling and dumping in a wide variety of applications and materials.

GENERAL PURPOSE – PERFORMANCE SERIES BUCKETS							FUSION
Part Number	Capacity <i>m<sup>3</sup> (yd<sup>3</sup>)</i>	Weight <i>kg (lb)</i>	Length <i>mm (in)</i>	Width <i>mm (in)</i>	Height <i>mm (in)</i>	Edge Type	Machine Compatibility
345-2418	1.9 (2.5)	775 (1709)	1109 (44)	2532 (100)	1235 (49)	Base Edge	926M, 930M
417-4919	1.9 (2.5)	911 (2008)	1181 (47)	2549 (100)	1260 (50)	BOCE	926M, 930M
360-3320	2.1 (2.7)	825 (1819)	1181 (47)	2540 (100)	1289 (51)	Base Edge	926M, 930M
360-3321	2.1 (2.7)	953 (2101)	1253 (49)	2549 (100)	1314 (52)	BOCE	926M, 930M
360-3322	2.3 (3.0)	863 (1903)	1244 (49)	2540 (100)	1333 (53)	Base Edge	926M, 930M
360-3323	2.3 (3.0)	972 (2143)	1316 (52)	2549 (100)	1358 (54)	BOCE	926M, 930M
345-2424	2.5 (3.3)	962 (2121)	1306 (51)	2520 (99)	1378 (54)	Base Edge	926M, 930M, 938M
345-2784	2.5 (3.3)	963 (2123)	1244 (49)	2727 (107)	1333 (53)	Base Edge	926M, 930M, 938M
417-4355	2.5 (3.3)	1103 (2432)	1316 (52)	2747 (108)	1358 (54)	BOCE	926M, 930M, 938M
593-1457*	2.6 (3.4)	1130 (2491)	1313 (52)	2950 (116)	1314 (52)	BOCE	926M, 930M, 938M
417-4925	2.5 (3.3)	1094 (2411)	1378 (54)	2549 (100)	1404 (55)	BOCE	926M, 930M, 938M
345-2426	2.7 (3.5)	1007 (2220)	1306 (51)	2727 (107)	1378 (54)	Base Edge	926M, 930M, 938M
345-2427	2.7 (3.5)	1153 (2542)	1378 (54)	2727 (107)	1404 (55)	BOCE	926M, 930M, 938M
360-3336	2.7 (3.5)	962 (2121)	1306 (51)	2540 (100)	1414 (56)	Base Edge	926M, 930M, 938M
345-2428	2.9 (3.8)	1042 (2297)	1414 (56)	2727 (107)	1414 (56)	Base Edge	926M, 930M, 938M
417-4929	2.9 (3.8)	1180 (2602)	1427 (56)	2747 (108)	1439 (57)	BOCE	926M, 930M, 938M

\*For use with frequently used tires size in the EU: 750 XB1B, 20.5 R25, 28L26 wide tires.

## Flat Floor Performance Series Buckets

utilize a long flat floor that delivers improved results when back dragging and grading.



FLAT FLOOR – PERFORMANCE SERIES BUCKETS							FUSION
Part Number	Capacity <i>m<sup>3</sup> (yd<sup>3</sup>)</i>	Weight <i>kg (lb)</i>	Length <i>mm (in)</i>	Width <i>mm (in)</i>	Height <i>mm (in)</i>	Edge Type	Machine Compatibility
491-0515	2.3 (3.0)	1090 (2403)	1343 (53)	2532 (100)	1358 (54)	BOCE	926M, 930M
491-0525	2.5 (3.3)	1205 (2657)	1344 (53)	2727 (107)	1358 (54)	BOCE	926M, 930M
491-0535	2.9 (3.8)	1291 (2846)	1445 (57)	2727 (107)	1439 (57)	BOCE	926M, 930M
493-1840	2.3 (3.0)	1063 (2344)	1483 (58)	2539 (100)	1350 (53)	WOT	926M, 930M, 938M
493-1850	2.5 (3.3)	1170 (2579)	1483 (58)	2738 (108)	1350 (53)	WOT	926M, 930M, 938M
493-1860	2.9 (3.8)	1257 (2771)	1594 (63)	2738 (108)	1430 (56)	WOT	926M, 930M, 938M



## Specially designed Light Material Buckets

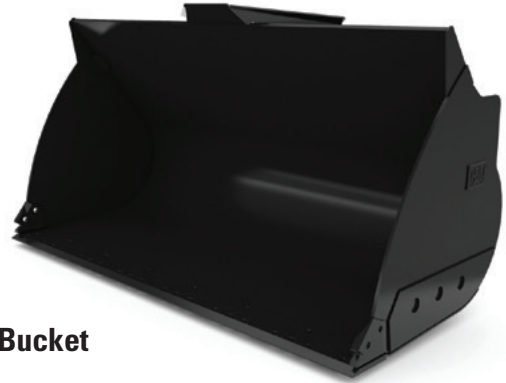
have maximum efficiency and increased capacity when loading light, loosely packed material.

LIGHT MATERIAL BUCKETS							FUSION
Part Number	Capacity <i>m<sup>3</sup> (yd<sup>3</sup>)</i>	Weight <i>kg (lb)</i>	Length <i>mm (in)</i>	Width <i>mm (in)</i>	Height <i>mm (in)</i>	Edge Type	Machine Compatibility
452-7417	3.0 (3.9)	1220 (2690)	1404 (55)	2747 (108)	1369 (54)	BOCE	926M, 930M, 938M
417-4935	3.5 (4.6)	1303 (2873)	1506 (59)	2747 (108)	1449 (57)	BOCE	926M, 930M, 938M
450-0252	3.8 (5.0)	1368 (3016)	1588 (63)	2747 (108)	1478 (58)	BOCE	926M, 930M, 938M
417-4342	4.2 (5.5)	1439 (3172)	1676 (66)	2747 (108)	1538 (61)	BOCE	926M, 930M, 938M
417-4950*	5.0 (6.5)	1502 (3311)	1676 (66)	2747 (108)	1687 (66)	BOCE	926M, 930M, 938M



\*Front Camera Kit 582-1425 is required by local EU requirements for 5.0 m<sup>3</sup> light material buckets. Contact dealer for details.

**Sand and Gravel Buckets** are designed for aggregate handling in batch plant loader applications.



**Sand and Gravel Bucket**

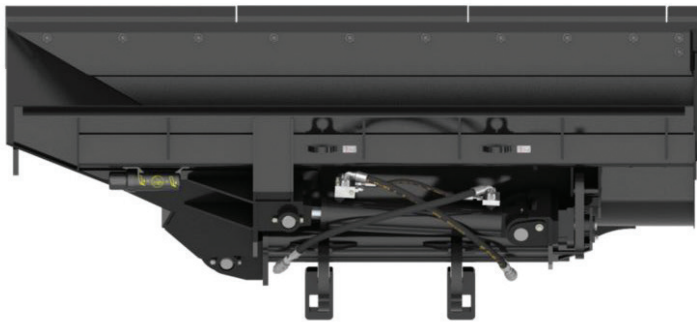
SAND AND GRAVEL BUCKETS							FUSION
Part Number	Capacity <i>m<sup>3</sup> (yd<sup>3</sup>)</i>	Weight <i>kg (lb)</i>	Length <i>mm (in)</i>	Width <i>mm (in)</i>	Height <i>mm (in)</i>	Edge Type	Machine Compatibility
451-1403	2.5 (3.3)	964 (2125)	1262 (50)	2750 (108)	1333 (53)	Base Edge	926M, 930M
451-1409	2.5 (3.3)	1149 (2533)	1317 (52)	2747 (108)	1359 (54)	BOCE	926M, 930M
451-1404	2.7 (3.5)	1007 (2220)	1324 (52)	2750 (108)	1378 (54)	Base Edge	926M, 930M, 938M
451-1410	2.7 (3.5)	1197 (2639)	1379 (54)	2747 (108)	1404 (55)	BOCE	926M, 930M, 938M
469-0191	2.9 (3.8)	1042 (2297)	1355 (53)	2750 (108)	1414 (56)	Base Edge	926M, 930M, 938M
469-0192	2.9 (3.8)	1236 (2725)	1428 (56)	2743 (108)	1440 (57)	BOCE	926M, 930M, 938M
451-1405	3.2 (4.2)	1128 (2487)	1373 (54)	2750 (108)	1462 (58)	Base Edge	926M, 930M, 938M
451-1411	3.2 (4.2)	1265 (2789)	1426 (56)	2747 (108)	1488 (59)	BOCE	926M, 930M, 938M

SAND AND GRAVEL BUCKETS – 938K/M WITH 23.5" TIRES						FUSION
Part Number	Capacity <i>m<sup>3</sup> (yd<sup>3</sup>)</i>	Weight <i>kg (lb)</i>	Length <i>mm (in)</i>	Width <i>mm (in)</i>	Height <i>mm (in)</i>	Edge Type
593-8823	2.9 (3.8)	1171 (2582)	1406 (55)	2735 (108)	1414 (56)	Base Edge
593-8821	2.9 (3.8)	1308 (2884)	1478 (58)	2743 (108)	1439 (57)	BOCE
593-8806	3.2 (4.2)	1201 (2648)	1406 (55)	2735 (108)	1462 (58)	Base Edge
593-8805	3.2 (4.2)	1338 (2950)	1478 (58)	2743 (108)	1487 (59)	BOCE

# SMALL WHEEL LOADERS ATTACHMENTS

MATERIAL HANDLING BUCKET – 924K/926M						FUSION
Part Number	Capacity <i>m<sup>3</sup> (yd<sup>3</sup>)</i>	Weight <i>kg (lb)</i>	Length <i>mm (in)</i>	Width <i>mm (in)</i>	Height <i>mm (in)</i>	Edge Type
446-0738	1.5 (2.0)	1032 (2275)	1174 (46)	1861 (73)	1272 (50)	BOCE

**Side Dump Buckets** can dump forward (as a standard bucket) or to the side. This functionality makes it uniquely suited to work in urban areas, small job sites or other congested work environments.



Side Dump Bucket (top view)



SIDE DUMP BUCKETS – K/M SERIES							FUSION
Part Number	Capacity <i>m<sup>3</sup> (yd<sup>3</sup>)</i>	Weight <i>kg (lb)</i>	Length <i>mm (in)</i>	Width <i>mm (in)</i>	Height <i>mm (in)</i>	Edge Type	Dump Direction
571-8457*	1.9 (2.5)	1691 (3728)	1388 (55)	3105 (122)	1097 (43)	BOCE	Left
461-2391*	1.9 (2.5)	1653 (3645)	1387 (55)	3105 (122)	1097 (43)	BOCE	Right

\*Requires third valve on machine.

**Woodchip Buckets** are high capacity buckets for Cat wheel loaders that have a proven design with lower weight compared to competitors and can carry materials with 20% more density than others.



**Woodchip Bucket**

WOODCHIP BUCKETS – K/M SERIES						FUSION
Part Number	Capacity <i>m<sup>3</sup> (yd<sup>3</sup>)</i>	Weight <i>kg (lb)</i>	Length <i>mm (in)</i>	Width <i>mm (in)</i>	Height <i>mm (in)</i>	Edge Type
568-9161	6.0 (7.8)	1850 (4079)	1982 (78)	3062 (121)	1614 (64)	BOCE
568-9168	6.9 (9.0)	1978 (4361)	1982 (78)	3381 (133)	1640 (65)	BOCE



Note: Front Camera Kit 582-1425 is required by local EU requirements for all high capacity/woodchip buckets. Contact dealer for details.

**High Dump Buckets** feature greatly increased dump height over standard material-handling buckets. Whether loading trucks, feeding compactors or just working in the pile, high dump buckets offer the performance you need.



**High Dump Bucket**

HIGH DUMP BUCKETS – K/M SERIES						FUSION	
Part Number	Capacity <i>m<sup>3</sup> (yd<sup>3</sup>)</i>	Weight <i>kg (lb)</i>	Length <i>mm (in)</i>	Width <i>mm (in)</i>	Height <i>mm (in)</i>	Required Hydraulics	Edge Type
473-6945*	3.0 (3.9)	1707 (3763)	1710 (67)	2528 (100)	1663 (66)	Third Function	BOCE
473-6942	3.5 (4.6)	1797 (3962)	1770 (70)	2728 (107)	1706 (67)	Third Function	BOCE
476-9305	4.1 (5.4)	2126 (4687)	1775 (70)	3032 (119)	1721 (68)	Third Function	BOCE
476-9308	5.0 (6.5)	2227 (4910)	1922 (76)	3032 (119)	1863 (73)	Third Function	BOCE

\*924K/926M, 930K/M only.



Note: Front Camera Kit 582-1425 is required by local EU requirements for all high dump buckets. Contact dealer for details.

## KIT

Part Number	Model	Description
611-5615	HD Guard, Cylinder	Helps minimize material coming in the cylinder housing

\*Requires 2 kits, 1 for each bucket dump cylinder.

# SMALL WHEEL LOADERS ATTACHMENTS



**Multi-Purpose Buckets** for Cat small wheel loaders offer excellent versatility by enabling one work tool to do the job of many. This bucket is ideal for material handling, clamping, grading, leveling and grasping irregularly shaped objects.



MULTI-PURPOSE BUCKETS								FUSION
Part Number	Capacity <i>m<sup>3</sup> (yd<sup>3</sup>)</i>	Weight <i>kg (lb)</i>	Length <i>mm (in)</i>	Width <i>mm (in)</i>	Height <i>mm (in)</i>	Edge Type	Required Hydraulics	Machine Compatibility
362-0901	2.1 (2.7)	1404 (3095)	1537 (61)	2605 (103)	1286 (51)	BOCE	Third Function	924K, 926M, 930K/M
362-0902	2.1 (2.7)	1417 (3124)	1213 (48)	2605 (103)	1274 (50)	BOCE	Third Function	924K, 926M, 930K/M
527-9408	2.7 (3.5)	1562 (3444)	1343 (53)	2750 (108)	1337 (53)	BOCE	Third Function	938K/M

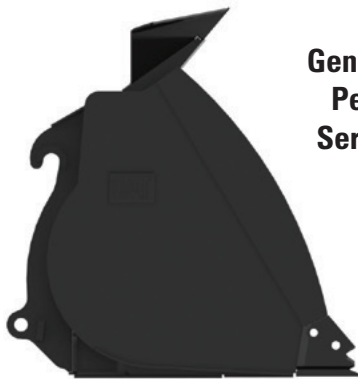


**Skeleton Buckets** are primarily used to remove and separate rocks and larger debris from soil and sand.

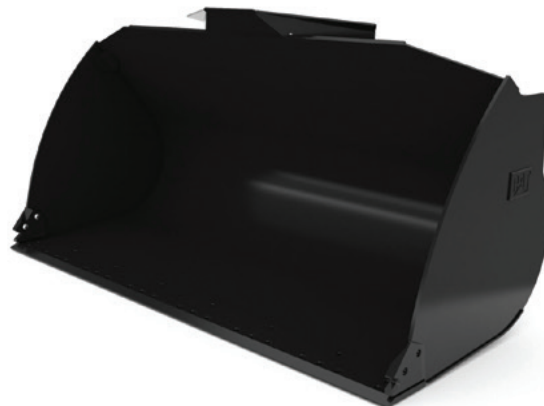


**Skeleton Bucket**

SKELETON BUCKET – K/M SERIES						FUSION
Part Number	Capacity <i>m<sup>3</sup> (yd<sup>3</sup>)</i>	Weight <i>kg (lb)</i>	Length <i>mm (in)</i>	Width <i>mm (in)</i>	Height <i>mm (in)</i>	Edge Type
591-3866	1.9 (2.5)	1099 (2423)	1176 (46)	2532 (100)	1301 (51)	Base Edge



**General Purpose  
Performance  
Series Buckets**



**General Purpose Performance Series Buckets** provide higher fill factors and material retention in load and carry applications, as well as grading, leveling and dumping in a wide variety of materials.

GENERAL PURPOSE – PERFORMANCE SERIES BUCKETS							HPL – WIDE (L50)
Part Number	Capacity <i>m<sup>3</sup> (yd<sup>3</sup>)</i>	Weight <i>kg (lb)</i>	Length <i>mm (in)</i>	Width <i>mm (in)</i>	Height <i>mm (in)</i>	Edge Type	Machine Compatibility
360-3256	2.1 (2.7)	793 (1748)	1195 (47)	2532 (100)	1294 (51)	Base Edge	924K, 926M, 930K/M
360-3257	2.3 (3.0)	831 (1832)	1258 (50)	2532 (100)	1338 (53)	Base Edge	924K, 926M, 930K/M
371-2390	2.5 (3.3)	917 (2022)	1258 (50)	2727 (107)	1336 (53)	Base Edge	924K, 926M, 930K/M, 938K/M
360-3258	2.7 (3.5)	961 (2119)	1320 (52)	2727 (107)	1381 (54)	Base Edge	924K, 926M, 930K/M, 938K/M
371-2391	2.9 (3.8)	997 (2198)	1369 (54)	2727 (107)	1417 (56)	Base Edge	924K, 926M, 930K/M, 938K/M
589-9066*	2.6 (3.4)	1083 (2388)	1267 (50)	2950 (116)	1314 (52)	BOCE	924K, 926M, 930K/M, 938K/M

\*For use with frequently used tires size in the EU: 750 XB1B, 20.5 R25, 28L26 wide tires.

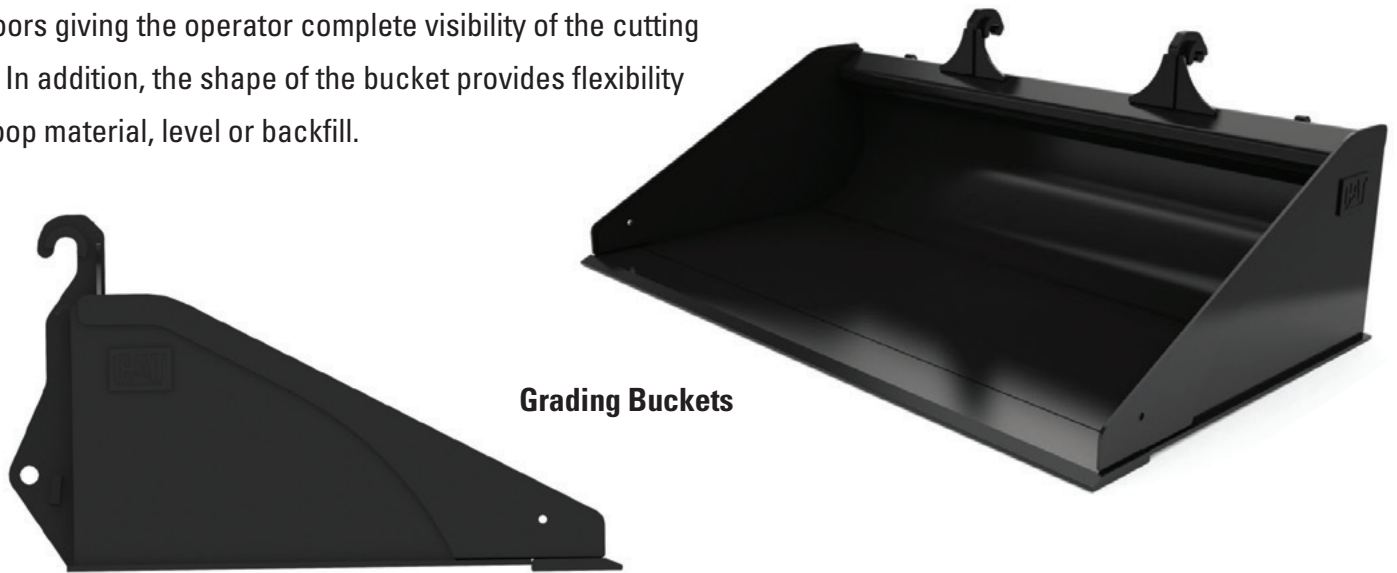
**Flat Floor Performance Series Buckets** utilize a long flat floor that delivers improved results when back dragging and grading.



**Flat Floor Performance Series**

FLAT FLOOR – PERFORMANCE SERIES BUCKETS							HPL – WIDE (L50)
Part Number	Capacity <i>m<sup>3</sup> (yd<sup>3</sup>)</i>	Weight <i>kg (lb)</i>	Length <i>mm (in)</i>	Width <i>mm (in)</i>	Height <i>mm (in)</i>	Edge Type	Machine Compatibility
482-6970	2.3 (3.0)	1052 (2319)	1331 (52)	2532 (100)	1358 (54)	BOCE	924K, 926M, 930K/M
491-0510	2.3 (3.0)	1025 (2260)	1471 (58)	2539 (100)	1349 (53)	WOT	924K, 926M, 930K/M
482-6950	2.5 (3.3)	1153 (2542)	1331 (52)	2727 (107)	1358 (54)	BOCE	924K, 926M, 930K/M
491-0520	2.5 (3.3)	1119 (2467)	1470 (58)	2738 (108)	1350 (53)	WOT	924K, 926M, 930K/M
482-6960	2.9 (3.8)	1240 (2734)	1441 (57)	2727 (107)	1439 (57)	BOCE	924K, 926M, 930K/M, 938K/M
491-0530	2.9 (3.8)	1206 (2659)	1581 (62)	2738 (108)	1430 (56)	WOT	924K, 926M, 930K/M, 938K/M

**Grading Buckets** are Scandinavian style with long, flat floors giving the operator complete visibility of the cutting edge. In addition, the shape of the bucket provides flexibility to scoop material, level or backfill.



**Grading Buckets**

GRADING BUCKETS – K/M SERIES			HPL – WIDE (L50)		
Part Number	Capacity <i>m<sup>3</sup> (yd<sup>3</sup>)</i>	Weight <i>kg (lb)</i>	Length <i>mm (in)</i>	Width <i>mm (in)</i>	Height <i>mm (in)</i>
513-0277	1.8 (2.4)	967 (2132)	1640 (65)	2600 (102)	972 (38)
513-0159	1.9 (2.5)	997 (2198)	1640 (65)	2700 (106)	972 (38)
513-0115	2.0 (2.6)	1057 (2330)	1640 (65)	2900 (114)	972 (38)

**Bolt-on Spill Guards** increase capacity and help prevent spillage over adverse machine travel conditions.

GRADING SPILL GUARD		HPL – WIDE (L50)		
Part Number	Weight <i>m<sup>3</sup> (yd<sup>3</sup>)</i>	Length <i>mm (in)</i>	Width <i>mm (in)</i>	Height <i>mm (in)</i>
519-1916*	117 (258)	1475 (58)	2909 (115)	675 (27)

*\*For use with grading buckets 513-0277, 513-0159, 513-0115 for snow clearing only.*



**Bolt-on Spill Guard**

# SMALL WHEEL LOADERS ATTACHMENTS

## Light Material Performance Series Buckets

leverage many of the same features found in the general purpose bucket but with higher volume capacities to handle less dense materials such as top soil, fertilizer, woodchips and much more.



**Light Material Performance Series Bucket**

### LIGHT MATERIAL – PERFORMANCE SERIES BUCKETS – K/M SERIES HPL – WIDE (L50)

Part Number	Capacity <i>m<sup>3</sup> (yd<sup>3</sup>)</i>	Weight <i>kg (lb)</i>	Length <i>mm (in)</i>	Width <i>mm (in)</i>	Height <i>mm (in)</i>	Edge Type
575-9686	3.5 (4.6)	1246 (2747)	1511 (60)	2727 (108)	1449 (57)	BOCE
575-9687*	4.2 (5.5)	1372 (3025)	1681 (66)	2727 (108)	1449 (57)	BOCE
575-9688*	5.0 (6.5)	1430 (3153)	1681 (66)	2727 (108)	1687 (66)	BOCE



\*Front Camera Kit 582-1425 is required by local EU requirements for 4.2 m<sup>3</sup> light material buckets and for a 5.0 m<sup>3</sup> light material bucket used on a High Lift with 17.5 tires. Contact dealer for details.

## High Dump Buckets

feature greatly increased dump height over standard material-handling buckets. Whether loading trucks, feeding compactors or just working in the pile, high dump buckets offer the performance you need.

**High Dump Bucket**



### HIGH DUMP BUCKETS – K/M SERIES HPL – WIDE (L50)

Part Number	Capacity <i>m<sup>3</sup> (yd<sup>3</sup>)</i>	Weight <i>kg (lb)</i>	Length <i>mm (in)</i>	Width <i>mm (in)</i>	Height <i>mm (in)</i>	Required Hydraulics	Edge Type
473-6951	3.0 (3.9)	1790 (3946)	1767 (70)	2550 (100)	1663 (66)	Third Function	BOCE
473-6948	3.5 (4.6)	1878 (4140)	1767 (70)	2750 (108)	1706 (67)	Third Function	BOCE
476-9311	4.1 (5.4)	2316 (5106)	1832 (72)	3060 (121)	1721 (68)	Third Function	BOCE
476-9314	5.0 (6.5)	2415 (5324)	1952 (77)	3060 (121)	1863 (73)	Third Function	BOCE



Note: Front Camera Kit 582-1425 is required by local EU requirements for all high dump buckets. Contact dealer for details.

## Angle Brooms

are used for clearing parking lots, industrial plants, mill yards, airport runways, streets, driveways and lanes.



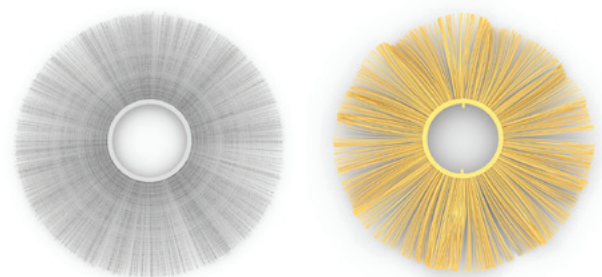
**BA25  
Manual Angle Broom**

ANGLE BROOMS – K/M SERIES				SWL
MODEL	BA25	BA25	BA30	BA30
Overall Width – mm (in)	2700 (106)	2700 (106)	3200 (126)	3200 (126)
Sweeping Width – mm (in)	2500 (98)	2500 (98)	3000 (118)	3000 (118)
Brush Diameter – mm (in)	700 (28)	700 (28)	915 (36)	915 (36)
Brush Material (50% Poly/50% Steel)	Yes	Yes	Yes	Yes
Height – mm (in)	1300 (51)	1300 (51)	1520 (60)	1520 (60)
Length – mm (in)	1535 (60)	1535 (60)	1630 (64)	1630 (64)
Weight – kg (lb)	430 (948)	440 (970)	500 (1102)	510 (1124)
Angling	Manual	Hydraulic (24V)	Manual	Hydraulic (24V)
Part Number	600-8979*	600-8981*	600-8982*	600-8983*

*\*Does not include hook; requires hook selection. Also requires third valve group with front lines and quick disconnects, continuous flow and electrical switch kit.*

BRISTLES			SWL	
BROOM		POLY	STEEL	SPACER
BA25	Part Number	302-8211	202-8957	421-1549
	Quantity*	28	27	54
BA30	Part Number	606-2973	138-1160	421-1549
	Quantity*	34	27	61

*\*Quantities are number needed to complete one set of mixed (poly/steel) bristles.*



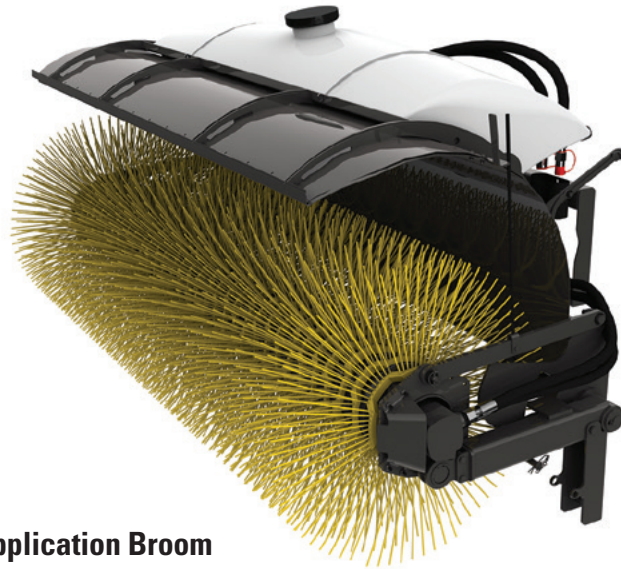
**Steel and Poly Bristles**

HOOK SELECTION		SWL
MACHINE	INTERFACE	BA25/BA30
910 – 938	ISO (L50)	487-8480
Legacy	IT (IT38)	487-8481
910 – 938	IT (IT14/28)	487-8490
914 – 938	FUSION	497-9469



*Front Camera Kit 582-1425 is required by local EU requirements for all brooms. Contact dealer for details.*

# SMALL WHEEL LOADERS ATTACHMENTS



**SA25  
Special Application Broom**

HOOK SELECTION		SWL
MACHINE	INTERFACE	SA25/SA30
910 – 938	ISO (L50)	487-8480
Legacy	IT (IT38)	487-8481
910 – 938	IT (IT14/28)	487-8490
914 – 938	FUSION	497-9469

SPECIAL APPLICATION BOOMS – K/M SERIES		SWL
MODEL	SA25	SA30
Overall Width – mm (in)	2757 (109)	3257 (128)
Sweeping Width – mm (in)	2500 (98)	3000 (118)
Brush Diameter – mm (in)	915 (36)	915 (36)
Brush Material (100% Poly)	Yes	Yes
Height – mm (in)	1422 (56)	1422 (56)
Length – mm (in)	1636 (64)	1636 (64)
Weight – kg (lb)	640 (1411)	690 (1520)
Angling	Hydraulic (24V)	Hydraulic (24V)
Part Number	267-4961*	257-9680*

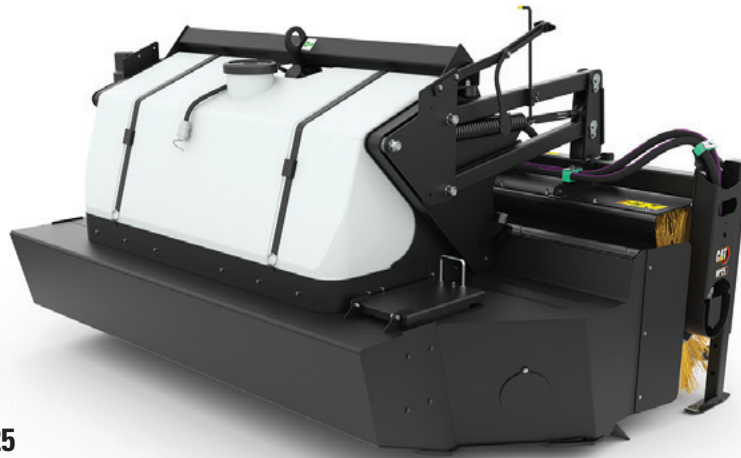
*\*Does not include hook; requires hook selection. Also requires third valve group with front lines and quick disconnects, continuous flow and electrical switch kit.*

BRISTLES		SWL	
BROOM		POLY C <sup>^</sup>	SPACER
SA25	Part Number	239-6817	421-1549
	Quantity*	40	40
SA30	Part Number	239-6817	421-1549
	Quantity*	40	40

*\*Quantities are number needed to complete one set of poly bristles.  
^C – Convoluted (not straight).*



Front Camera Kit 582-1425 is required by local EU requirements for all brooms. Contact dealer for details.



**BP25  
Pickup Broom**

PICKUP BROOMS – K/M SERIES		SWL
MODEL	BP25	
Overall Width – mm (in)	2700 (106)	
Sweeping Width – mm (in)	2500 (98)	
Brush Diameter – mm (in)	700 (28)	
Brush Material (100% Poly)	Yes	
Height – mm (in)	1300 (51)	
Length – mm (in)	1830 (72)	
Weight – kg (lb)	650 (1433)	
Required Hydraulics	Third Function	
Part Number	600-8976*	

*\*Does not include hook; requires hook selection. Also requires third valve group with front lines and quick disconnects, continuous flow and electrical switch kit. Requires 588-4294 kit when roading.*

HOOK SELECTION		SWL
MACHINE	INTERFACE	BP25
910 – 938	ISO (L50)	487-8480
Legacy	IT (IT38)	487-8481
910 – 938	IT (IT14/28)	487-8490
914 – 938	FUSION	497-9469

KIT		
Part Number	Model	Description
588-4294*	BP25	Locking device prevents broom dropping while roading.

*\*Required for roading in certain parts of the EU. Ask your dealer.*

BRISTLES		SWL
BP25 Broom	Poly	Spacer
Part Number	157-2556	421-1549
Quantity*	34	34

*\*Quantities are number needed to complete one set of poly bristles.*



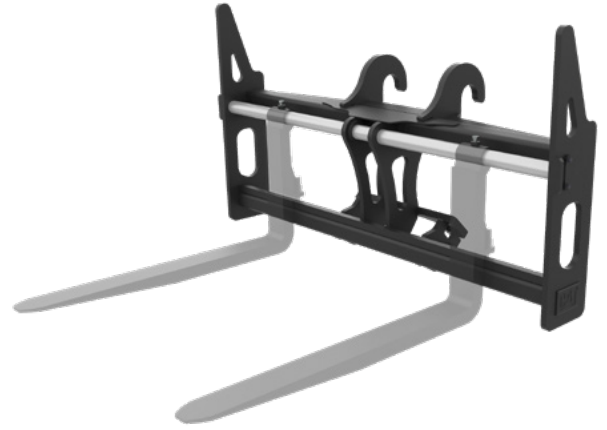
Front Camera Kit 582-1425 is required by local EU requirements for all brooms. Contact dealer for details.

## SMALL WHEEL LOADERS ATTACHMENTS

BROOM KITS		SWL
Part Number	Description	
497-9469	Broom Hook, Fusion – For use with Fusion quick coupler.	
487-8490	Broom Hook, IT – For use with standard quick coupler IT14/28.	
487-8481	Broom Hook, IT38 – For use with standard quick coupler IT38.	
487-8480	Broom Hook, HPL – Wide (L50) – For use with horizontal pin lock coupler HPL – Wide (L50).	
602-6792	Broom Kit, Electric, SWL K/M – Includes 8 pins electrical harness. For use with all brooms on 924-938K/M Series.	
173-2190	Broom Kit, Electric, SWL G/H – For use with: 938H, 930H, 928Hz, 928Gz, 924Hz, 924Gz, 924H and IT28G.	
363-4263	Broom Kit, Electric, BP25, 924G/H – For use with BP25 and 924G/H.	
457-4632	Quick Disconnect Kit, Twist, Size 19 – Converts a machine using the flat face type quick disconnects to a machine using the screw to connect type quick disconnects.	
269-9333	BA25 Shield Extension – Bolt-on spray protection for BA25.	
269-9281	BA30 Shield Extension – Bolt-on spray protection for BA30.	
497-9461	BA25 Broom Tank Kit, 105 gallons (Requires 609-9555 KIT, BROOM, SPRAY, BA22/BA25.)	
497-9462	BA30 Broom Tank Kit, 158 gallons (Requires 609-9556 KIT SPRAY, BA30.)	
609-9555	BA22/BA25 Broom Spray Kit, INCLUDES: Water pump, filter, hoses, fixing materials, spray nozzles. (Requires 497-9461 Broom Tank Kit.)	
609-9556	BA30 Broom Spray Kit, INCLUDES: Water pump, filter, hoses, fixing materials, spray nozzles. (Requires 497-9461 Broom Tank Kit.)	



**Construction Forks** are wider than pallet forks and are designed for heavy duty applications. Fork tines can be configured to allow tines to either swing or stay in a fixed position.



CARRIAGE – CONSTRUCTION – K/M SERIES				FUSION
Part Number	Width mm (in)	Height mm (in)	Length mm (in)	Weight kg (lb)
620-2994*	2498 (98)	1320 (52)	633 (25)	639 (1409)

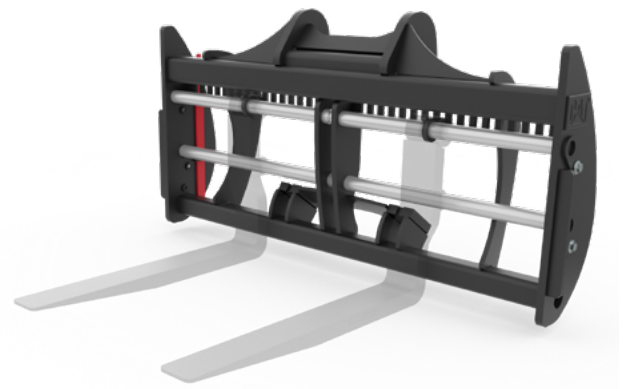
\*Requires 1 set of tines (not included).

FORK TINES – CONSTRUCTION					
Part Number	Tine Length mm (in)	Tine Width mm (in)	Tine Thickness mm (in)	Weight kg (lb)	Load Capacity kg (lb)
620-2995*	1524 (60)	150 (5.9)	75 (3.0)	170 (375)	3000 (6614)
620-3062*	1829 (72)	150 (5.9)	75 (3.0)	192 (424)	3000 (6614)

\*Order two forks for a complete set.

## Heavy Duty Construction Fork Carriages

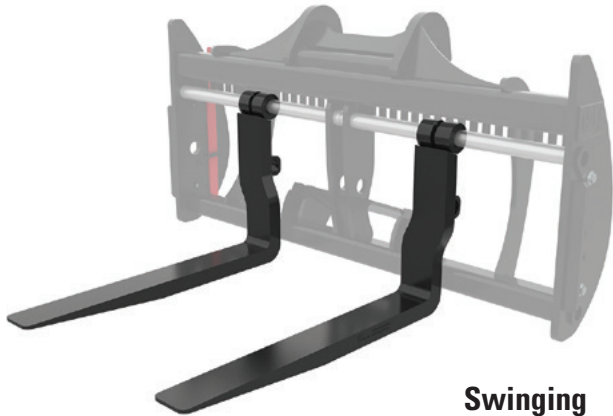
are for heavy duty applications where standard pallet fork carriages may not be suitable. They are wider than pallet fork carriages and can be configured to allow tines to either swing or stay in a fixed position.



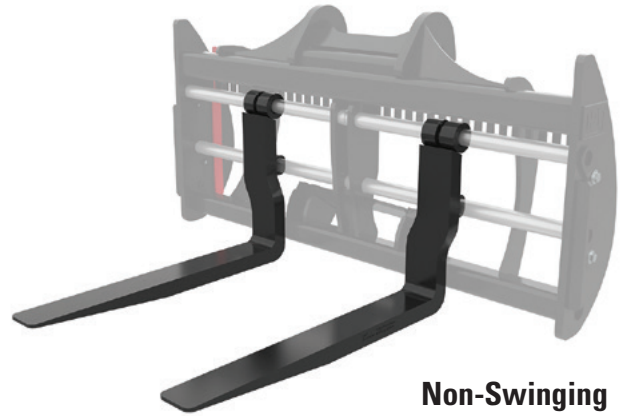
CARRIAGE – HEAVY DUTY CONSTRUCTION – K/M SERIES				FUSION
Part Number	Width mm (in)	Height mm (in)	Length mm (in)	Weight kg (lb)
592-1005	2134 (84)	1095 (43)	366 (14)	521 (1149)

\*Requires 1 set of tines (not included).

**Heavy Duty Construction Fork Offset Fork Tines** be configured to allow tines to either swing or stay in a fixed position.



**Swinging**

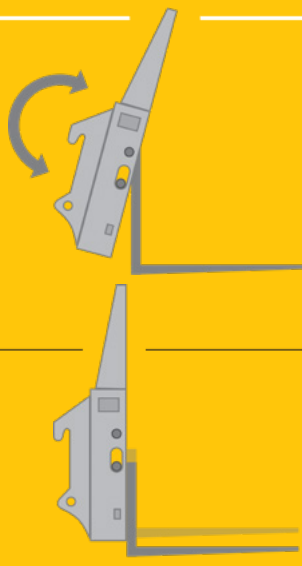


**Non-Swinging**

**FORKS – HEAVY DUTY CONSTRUCTION OFFSET**

Part Number	Tine Length mm (in)	Tine Width mm (in)	Tine Thickness mm (in)	Weight kg (lb)	Load Capacity kg (lb)	Side
317-5423	1200 (48)	150 (6)	65 (2.6)	133 (293)	4400 (9700)	Right
317-5434	1200 (48)	150 (6)	65 (2.6)	133 (293)	4400 (9700)	Left
314-7446	1524 (60)	150 (6)	65 (2.6)	152 (335)	3295 (7264)	Right
314-7447	1524 (60)	150 (6)	65 (2.6)	152 (335)	3295 (7264)	Left
317-5424	1829 (72)	150 (6)	65 (2.6)	171 (377)	2925 (6449)	Right
317-5435	1829 (72)	150 (6)	65 (2.6)	171 (377)	2925 (6449)	Left

Note: Order left and right for a complete set.



**Swinging and Floating Forks  
Benefits**

**Swinging**

Fork tines swing freely as the carriage angle changes with the benefit of the tines staying level with the ground. Swinging tines are easier to line up because the operator does not have to adjust the carriage angle.

**Floating**

Fork tines move up and down along vertical cutouts on the carriage frame. This feature, known as "tine drop," allows the tines to sit below the frame of the carriage which enhances the operator's sight line and makes them ideal for use when working on uneven ground.

**Log and Lumber Fork Carriages** are used to load, unload, move the deck, sort and feed the mill. Their flat fork tines and raised guards are designed specifically for handling both unfinished logs and stacked lumber.



**Non-Swinging,  
Non-Floating Carriage**

**FORK CARRIAGE – LOG AND LUMBER (NON-SWINGING, NON-FLOATING) – K/M SERIES**

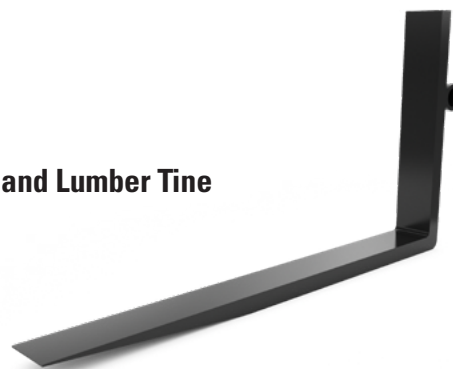
Part Number	Interface Type	Width mm (in)	Height mm (in)	Length mm (in)	Weight kg (lb)
520-3467*	Pin On	2659 (105)	1442 (57)	593 (23)	749 (1651)
539-2249*	Pin On	2812 (111)	1442 (57)	593 (23)	799 (1762)
520-3466*	Fusion	2659 (105)	1458 (57)	757 (30)	704 (1552)

\*Requires 2x 520-3468 or 2x 520-3469.

**FORKS – LOG AND LUMBER (NON-SWINGING, NON-FLOATING)**

Part Number	Tine Length mm (in)	Tine Width mm (in)	Tine Thickness mm (in)	Weight kg (lb)	Load Capacity kg (lb)	Style
520-3468*	1829 (72)	180 (7)	65 (2.6)	237 (523)	3885 (8565)	Non-Swinging, Non-Floating
520-3469*	2438 (96)	180 (7)	75 (3.0)	326 (716)	3882 (8558)	Non-Swinging, Non-Floating

\*Order two forks for a complete set.



**Log and Lumber Tine**

# SMALL WHEEL LOADERS ATTACHMENTS



**Non-Swinging,  
Floating Carriage and Fork**



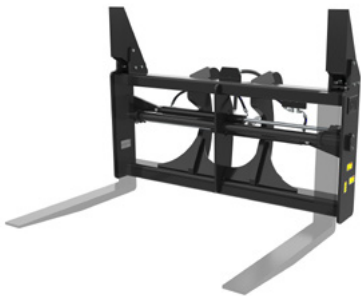
FORK CARRIAGE – LOG AND LUMBER – (NON-SWINGING, FLOATING) – K/M SERIES					FUSION
Part Number	Width mm (in)	Height mm (in)	Length mm (in)	Weight kg (lb)	Required Hydraulics
540-6596*	1869 (74)	1520 (60)	485 (19)	529 (1166)	None
540-6599*	2174 (86)	1520 (60)	485 (19)	563 (1241)	None

\*Requires 2x 180-6163/2x 180-8258 or 2x 264-9709.

FORK CARRIAGE – LOG AND LUMBER – (HYDRAULIC FORK ADJUSTMENT) – K/M SERIES					FUSION
Part Number	Width mm (in)	Height mm (in)	Length mm (in)	Weight kg (lb)	Required Hydraulics
592-7175*	2134 (84)	1497 (59)	757 (30)	714 (1574)	Third Function

\*Requires 2x 180-6163/2x 180-8258 or 2x 264-9709.

## Hydraulic Carriage



FORKS – LOG AND LUMBER – (NON-SWINGING, FLOATING)					
Part Number	Tine Length mm (in)	Tine Width mm (in)	Tine Thickness mm (in)	Weight kg (lb)	Load Capacity kg (lb)
180-6163*	1219 (48)	150 (6)	65 (2.6)	162 (357)	4400 (9700)
180-8358*	1524 (60)	150 (6)	65 (2.6)	181 (399)	3465 (7639)
264-9709*	1829 (72)	150 (6)	65 (2.6)	204 (450)	4400 (9700)

\*Order two forks for a complete set.

## SMALL WHEEL LOADERS ATTACHMENTS

FORK CARRIAGE – LOG AND LUMBER (SWINGING, FLOATING) – K/M SERIES				FUSION
Part Number	Width mm (in)	Height mm (in)	Length mm (in)	Weight kg (lb)
545-5791	1705 (67)	1880 (74)	520 (21)	660 (1455)

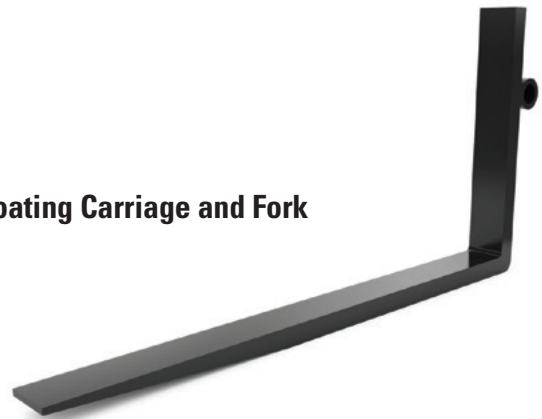
\*Requires 2x 520-3463/520-3464 or 2x 520-3465.



\*Requires Front Camera Kit 582-1425 per local EU requirements when used on 938M with High Lift and 20.5 tires. Contact your dealer for details.



Swinging, Floating Carriage and Fork



### FORKS – LOG AND LUMBER (SWINGING, FLOATING)

Part Number	Tine Length mm (in)	Tine Width mm (in)	Tine Thickness mm (in)	Weight kg (lb)	Load Capacity kg (lb)
520-3463*	1219 (48)	150 (6)	65 (2.6)	156 (344)	4400 (9700)
520-3464*	1524 (60)	150 (6)	65 (2.6)	180 (397)	3465 (7639)
520-3465*	1829 (72)	150 (6)	65 (2.6)	203 (448)	2925 (6449)

\*Order two forks for a complete set.

### FORK LOCKOUT KIT – LOG AND LUMBER (SWINGING, FLOATING)

Part Number	Description	FUSION
522-8450	Kit blocks the floating option, to prevent tines floating.	

# SMALL WHEEL LOADERS ATTACHMENTS

**Pallet Fork Carriages and Forks** are designed for a wide variety of material including bulky or palletized materials on construction and industrial sites, bagged fertilizer and seed at land- scaping and nursery sites.

## FORK CARRIAGES – PALLET

Part Number	Carriage Class	Interface Type	Width mm (in)	Height mm (in)	Length mm (in)	Weight kg (lb)
532-8222*	4	Fusion	1566 (62)	1006 (40)	610 (24)	712 (1570)
555-3376*	4	HPL-Wide (L50)	1566 (62)	953 (38)	466 (18.3)	324 (714)

\*Requires 2x class 4 offset forks/tines. Standard forks/tines will block the view to the fork/tine tips.



**HPL– Wide (L50)  
Pallet Fork Carriage**



**Fusion Fork Carriage**

## FORK TINES – PALLET

Part Number	Carriage Class	Tine Length mm (in)	Tine Width mm (in)	Tine Thickness mm (in)	Tine Height mm (in)	Weight kg (lb)
371-2348*	4	1220 (48)	150 (5.9)	60 (2.4)	758 (30)	135 (298)
371-2354*	4	1370 (54)	150 (5.9)	60 (2.4)	758 (30)	146 (322)
371-2360*	4	1524 (60)	150 (5.9)	60 (2.4)	758 (30)	155 (341)
6W-8933*	3	1050 (41)	130 (5.1)	50 (2)	800 (32)	87 (191)
6W-8900*	3	1200 (47)	130 (5.1)	50 (2)	600 (24)	93 (206)
6W-9739*	3	1350 (53)	130 (5.1)	50 (2)	800 (32)	101 (223)
6W-8935*	3	1350 (53)	130 (5.1)	60 (2.4)	800 (32)	125 (276)

\*Order two forks for a complete set.

**Pallet Fork Tine**

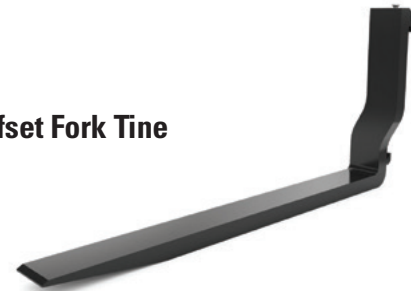


**Offset Pallet Fork Tines** are designed for moving bulky or palletized materials on construction and industrial sites. They also prevent loader arms from dragging when loading and unloading trucks.

<b>FORK TINES – OFFSET</b>						
<b>Part Number</b>	<b>Tine Length <i>mm (in)</i></b>	<b>Tine Width <i>mm (in)</i></b>	<b>Tine Thickness <i>mm (in)</i></b>	<b>Tine Height <i>mm (in)</i></b>	<b>Weight <i>kg (lb)</i></b>	<b>Side</b>
371-2374*	1220 (48)	150 (5.9)	60 (2.4)	758 (30)	137 (301)	Right
371-2375*	1220 (48)	150 (5.9)	60 (2.4)	758 (30)	137 (301)	Left
360-3355*	1370 (54)	150 (5.9)	60 (2.4)	758 (30)	147 (323)	Right
360-3354*	1370 (54)	150 (5.9)	60 (2.4)	758 (30)	147 (323)	Left
371-2377*	1524 (60)	150 (5.9)	60 (2.4)	758 (30)	158 (348)	Right
371-2376*	1524 (60)	150 (5.9)	60 (2.4)	758 (30)	158 (348)	Left

\*Order two forks for a complete set.

**Offset Fork Tine**



# SMALL WHEEL LOADERS ATTACHMENTS



**Millyard Forks** maximize the ability to fill the fork at every pass. They efficiently load and unload from trucks, capably sort pole and decking materials, effectively feed sawmills and handle other long or bulky material.

## FORKS – MILLYARD – 938K/M

Part Number	521-9402	521-9401
Weight – kg (lb)	1695 (3737)	1714 (3779)
Carriage Width – mm (in)	2212 (87)	2212 (87)
Overall Depth – mm (in)	1923 (76)	1923 (76)
Minimum Clamp Opening – mm (in)	149 (6)	149 (6)
Maximum Clamp Opening – mm (in)	2089 (82)	2089 (82)
Tine Spacing Maximum – mm (in)	2185 (86)	2185 (86)
Grapple Area – m <sup>2</sup> (ft <sup>2</sup> )	1.21 (13)	1.21 (13)
Required Hydraulics Interface Type	Third Function Pin On	Third Function Fusion



**Fusion Millyard Forks**



**Semi Millyard Forks** feature a top clamp that closes between the tines allowing the forks to close onto loads as small as a single log. Stack, carry and sort piles of lumber more efficiently than ever.



**Fusion Semi Millyard Forks**

**FORKS – SEMI MILLYARD – K/M SERIES**

<b>Part Number</b>	<b>521-9399</b>	<b>588-2834</b>	<b>589-8356</b>	<b>521-9400</b>
Weight – kg (lb)	1578 (3479)	1963 (4328)	1594 (3514)	2099 (4628)
Carriage Width – mm (in)	1778 (70)	1778 (70)	1778 (70)	2134 (84)
Overall Depth – mm (in)	1768 (70)	2004 (79)	1852 (73)	2304 (91)
Minimum Clamp Opening – mm (in)	152 (6)	152 (6)	152 (6)	152 (6)
Maximum Clamp Opening – mm (in)	2510 (99)	2510 (99)	2510 (99)	2510 (99)
Tine Spacing Minimum – mm (in)	1210 (48)	1210 (48)	1210 (48)	1547 (61)
Tine Spacing Maximum – mm (in)	1670 (66)	1670 (66)	1670 (66)	2086 (82)
Required Hydraulics	Third Function	Third Function	Third Function	Third Function
Interface Type	Pin On	Fusion	Fusion	Fusion

# SMALL WHEEL LOADERS ATTACHMENTS



**Sorting Grapple Forks** are designed for numerous applications in log and lumber handling. Moving logs from stack piles for further processing or unloading trucks, Cat Sorting Grapple Forks are built to perform.

## FORKS – SORTING GRAPPLE – 930K/M AND 938K/M

Part Number	Interface Type	Carriage Width mm (in)	Tine Length mm (in)	Weight kg (lb)	Maximum Grapple Opening mm (in)	Grapple Area m <sup>2</sup> (ft <sup>2</sup> )	Required Hydraulics
441-0226*	Pin On	2313 (91)	1200 (47)	1519 (3768)	1815 (71)	1.3 (14)	Third Function
439-4270*	Fusion	2138 (84)	1061 (42)	1519 (3349)	1624 (64)	1.0 (11)	Third Function
458-3462	Fusion	1812 (71)	1269 (50)	1751 (3860)	2608 (103)	1.9 (21)	Third Function
492-7185	HPL-Wide (L50)	1812 (71)	1256 (49)	1697 (3741)	2608 (103)	1.9 (21)	Third Function

\*Available in Latin America only. Contact your dealer for details.



**Fusion Sorting Grapple Fork**



**HPL – Wide (L50)  
Sorting Grapple Fork**



**Pipe and Pole Forks** are designed and built for use in oil and gas field drilling, pipe line construction and above-ground utilities work.

FORKS – PIPE AND POLE – K/M SERIES						FUSION
Part Number	Carriage Width mm (in)	Tine Length mm (in)	Overall Length mm (in)	Weight kg (lb)	Load Capacity kg (lb)	Required Hydraulics
496-1905	2560 (101)	1525 (60)	2100 (83)	1590 (3505)	2340 (5159)	Third Function*
510-5060	2560 (101)	1829 (72)	2410 (95)	1951 (4301)	3357 (7401)	Third Function*

\*Requires "twist to connect" quick disconnects.

# SMALL WHEEL LOADERS ATTACHMENTS



**Material Handling Arm  
Fusion**



**Material Handling Arm  
ISO**

## The Extendable Material Handling Arm

is used in industrial, construction and agricultural applications to pick-up, carry and load a variety of materials and equipment.

MATERIAL HANDLING ARM – K/M SERIES							SWL
Part Number	Overall Width mm (in)	Maximum Load Rating kg (lb)	Maximum Horizontal Reach mm (in)	Weight kg (lb)	Extended Length mm (in)	Retracted Length mm (in)	Number of Adjustments
510-5071*	646 (25)	2095 (4619)	3941 (155)	408 (900)	3941 (155)	2007 (79)	3
510-5092**	758 (30)	2432 (5362)	4208 (166)	488 (1076)	4203 (166)	2603 (103)	3

\*Fusion

\*\*ISO



**Rake with Full Width Clamp**



**Rake**



**Rake with Double Top Clamp**

**Cat Rakes** are designed to remove roots from the ground. This attachment is also used to pile up branches, logs or roots when cleaning land. In addition, rakes are particularly useful when the operation requires removal of material but not the dirt.

RAKES – K/M SERIES						FUSION
Part Number	Overall Width mm (in)	Raking Width mm (in)	Height mm (in)	Weight kg (lb)	Number of Teeth	Required Hydraulics
592-1004	2697 (106)	2495 (98)	1653 (65)	1344 (2963)	8	None
592-7177*	3048 (120)	2844 (112)	1874 (74)	2239 (4936)	9	Third Function
592-7176*	2348 (92)	2146 (85)	1875 (73)	1960 (4321)	7	Third Function
592-7178**	2348 (92)	2134 (84)	1865 (73)	2096 (4621)	7	Third Function

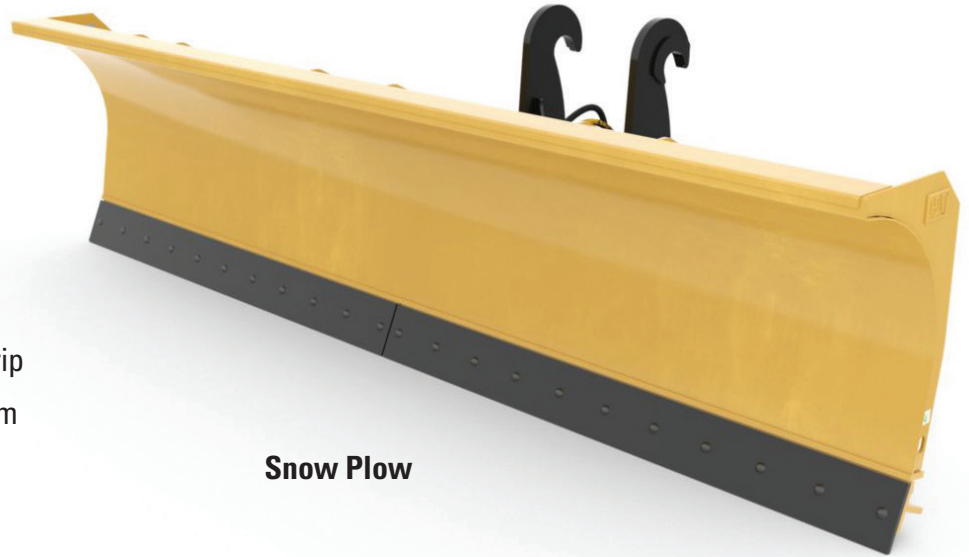
\*Double top clamp.

\*\*Full width clamp.

## SMALL WHEEL LOADERS ATTACHMENTS

### Cat Snow Plows

are designed for snow removal applications in parking lots, drive-ways, airport runways and storage lots. The plow is designed to scrape the surface and can be angled to windrow material to one side. The trip edge system protects equipment from unseen obstacles by retracting when objects such as manhole covers or large rocks are hit.



**Snow Plow**

SNOW PLOWS – K/M SERIES			FUSION	
MODEL	3.0 m (10 ft)	3.7 m (12 ft)	4.3 m (14 ft)	4.3 m (14 ft)
Part Number	479-8098	479-8108	479-8118*	315-6676*
Width – mm (in)	3048 (120)	3658 (144)	4267 (168)	4265 (168)
Blade Height – mm (in)	1073 (42)	1073 (42)	1073 (42)	1073 (42)
Length – mm (in)	1775 (70)	1775 (70)	1775 (70)	1775 (70)
Weight – kg (lb)	1389 (3062)	1525 (3362)	1635 (3605)	1712 (3775)
Trip Edge Type	Steel	Steel	Steel	Steel
Trip Edge Height – mm (in)	194 (7.6)	194 (7.6)	194 (7.6)	194 (7.6)
Required Hydraulics	Third Function	Third Function	Third Function	Third Function
Hydraulic Angling Left/Right Over Center	35 degrees	35 degrees	35 degrees	25 degrees



\*Front Camera Kit 582-1425 is required by local EU requirements for Snow Plow working width 4.27 m (14 ft) and 4.88 m (16 ft) on 926M/930M High Lift on 17.5 tires. Contact dealer for details.

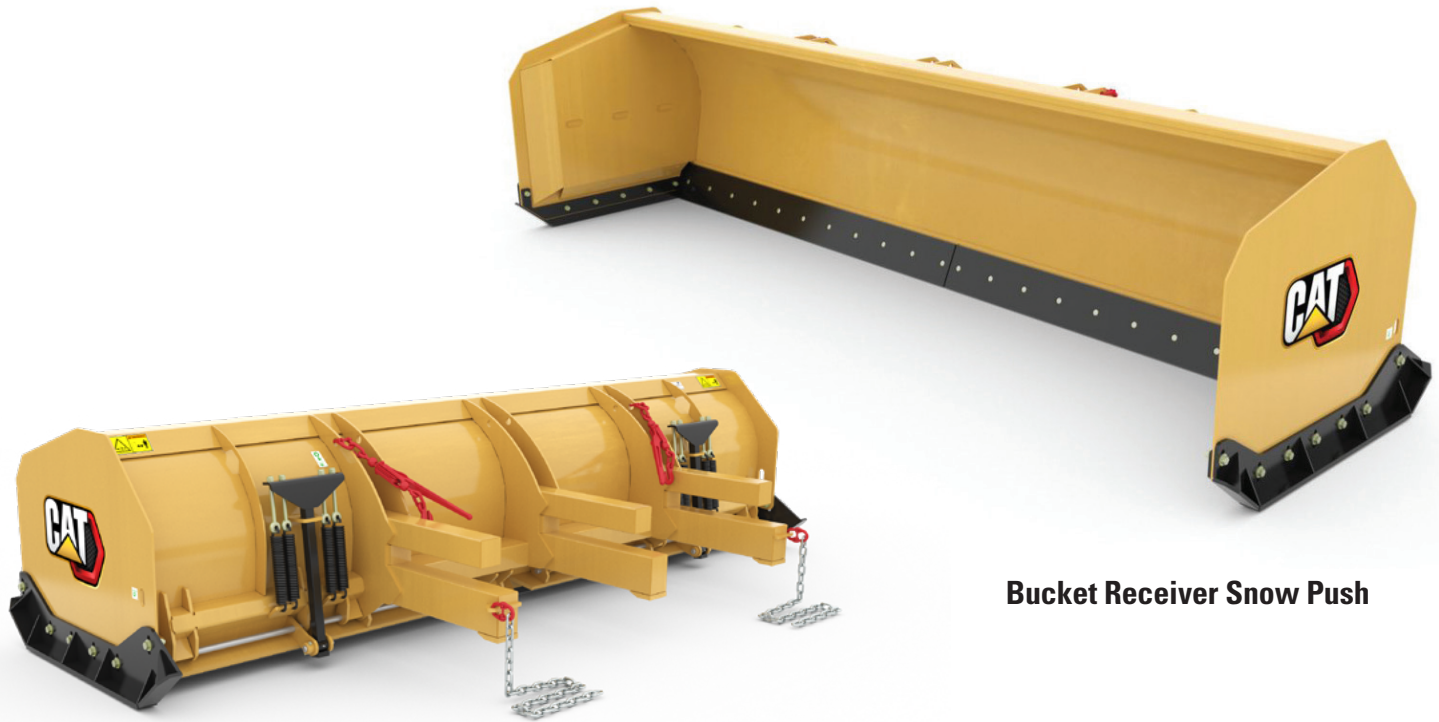
**Straight Snow Pushes** with bucket receiver are designed to mount to the machine without having to remove the machine bucket. This is ideal for machines that are not equipped with a quick coupler option. The bucket receiver snow push is secured to the machine by sliding the cutting edge of the bucket into the receiver arms, then fastening chains around the bucket of the machine. The chains are easily tightened by using the over center load binders that are attached to the snow push. For use with any bucket that does not have a cutting edge or teeth.



**Straight Snow Push**

<b>STRAIGHT SNOW PUSHES – K/M SERIES</b>						<b>FUSION</b>
<b>MODEL</b>	<b>3.66 m (12 ft)</b>	<b>3.66 m (12 ft)</b>	<b>4.26 m (14 ft)</b>	<b>4.26 m (14 ft)</b>	<b>4.87 m (16 ft)</b>	<b>4.87 m (16 ft)</b>
Part Number	477-9891	508-8310	477-9893	508-8315	477-9897	508-8320
Working Width – mm (in)	3658 (144)	3658 (144)	4267 (168)	4267 (168)	4877 (192)	4877 (192)
Overall Width – mm (in)	3829 (151)	3829 (151)	4439 (175)	4439 (175)	5048 (199)	5048 (199)
Overall Height – mm (in)	1128 (44)	1128 (44)	1128 (44)	1128 (44)	1128 (44)	1128 (44)
Length – mm (in)	1574 (62)	1574 (62)	1574 (62)	1574 (62)	1574 (62)	1574 (62)
Weight – kg (lb)	1330 (2932)	1262 (2782)	1441 (3177)	1369 (3018)	1552 (3422)	1474 (3250)
Trip Edge	Yes	Yes	Yes	Yes	Yes	Yes
Trip Edge Height – mm (in)	194 (7.6)	194 (7.6)	194 (7.6)	194 (7.6)	194 (7.6)	194 (7.6)
Trip Edge Type	Steel	Rubber	Steel	Rubber	Steel	Rubber

# SMALL WHEEL LOADERS ATTACHMENTS



**Bucket Receiver Snow Push**

## STRAIGHT SNOW PUSHES – K/M SERIES

## BUCKET RECEIVER

MODEL	3.66 m (12 ft)	3.66 m (12 ft)	4.26 m (14 ft)	4.26 m (14 ft)	4.87 m (16 ft)	4.87 m (16 ft)
Part Number	508-8325*	477-9892*	508-8330*	477-9894*	508-8335*	477-9898*
Working Width – mm (in)	3658 (144)	3658 (144)	4267 (168)	4267 (168)	4877 (192)	4877 (192)
Overall Width – mm (in)	3829 (151)	3829 (151)	4439 (175)	4439 (175)	5048 (199)	5048 (199)
Overall Height – mm (in)	1086 (43)	1086 (43)	1086 (43)	1086 (43)	1086 (43)	1086 (43)
Length – mm (in)	1945 (77)	1945 (77)	1945 (77)	1945 (77)	1945 (77)	1945 (77)
Weight – kg (lb)	1195 (2635)	1264 (2787)	1306 (2879)	1375 (3031)	1412 (3113)	1486 (3276)
Trip Edge	Yes	Yes	Yes	Yes	Yes	Yes
Trip Edge Height - mm (in)	194 (7.6)	194 (7.6)	194 (7.6)	194 (7.6)	194 (7.6)	194 (7.6)
Trip Edge Type	Rubber	Steel	Rubber	Steel	Rubber	Steel



\*Front Camera Kit 582-1425 is required by local EU requirements for Straight Snow Pushes Bucket Receiver on high lifts only. Contact dealer for details.



**Cat® Snow Plows**



